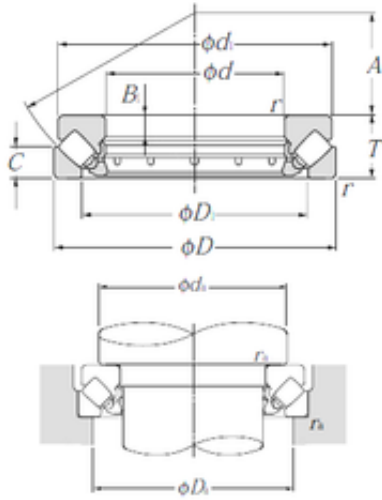




# AMERICAN BEARING MFG.CORP.



## 29364 NTN Thrust Spherical Roller Bearing

Bearing No. 29364

Size	320x500x109 mm
Bore Diameter	320 mm
Outer Diameter	500 mm
Width	109 mm
d	320 mm
D	500 mm
T	109 mm
B1	37 mm
C	53 mm
d1	482 mm
r min.	5 mm
A	180 mm
D1	399 mm
da min.	400 mm
Da max.	440 mm
ra max.	4 mm
Weight	79,9 Kg
Basic dynamic load rating (C)	2 220 kN
Basic static load rating (C0)	8 800 kN
Category	Roller Bearings
Inventory	0.0
Manufacturer Name	NTN
Minimum Buy Quantity	N/A
Weight / Kilogram	79.099
Product Group	B04311
bore diameter:	320 mm

29364 Bearing 2D drawings and 3D CAD models



## AMERICAN BEARING MFG.CORP.

bearing material:	Through Hardened Steel
outside diameter:	500 mm
operating temperature range:	-40 to 120 ° C
overall width:	109 mm
maximum rpm:	680 rpm
cage type:	Machined - Two Piece
separable type:	Separable Bearing
enclosure:	Open
fillet radius:	5 mm
cage material:	Brass
series:	293
static load capacity:	8800000 N
manufacturer product page:	<a href="#">Click here</a>
dynamic load capacity:	2220000 N