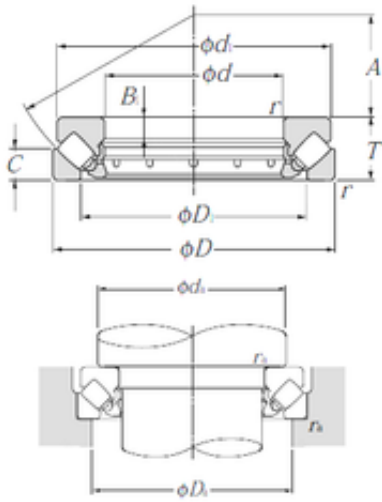




AMERICAN BEARING MFG.CORP.



29464 NTN Thrust Spherical Roller Bearing

Bearing No. 29464

Size	320x580x155 mm
Bore Diameter	320 mm
Outer Diameter	580 mm
Width	155 mm
d	320 mm
D	580 mm
T	155 mm
B1	55 mm
C	75 mm
d1	555 mm
r min.	7,5 mm
A	191 mm
D1	435 mm
da min.	435 mm
Da max.	495 mm
ra max.	6 mm
Weight	181 Kg
Basic dynamic load rating (C)	3 700 kN
Basic static load rating (C0)	14 200 kN

29464 Bearing 2D drawings and 3D CAD models