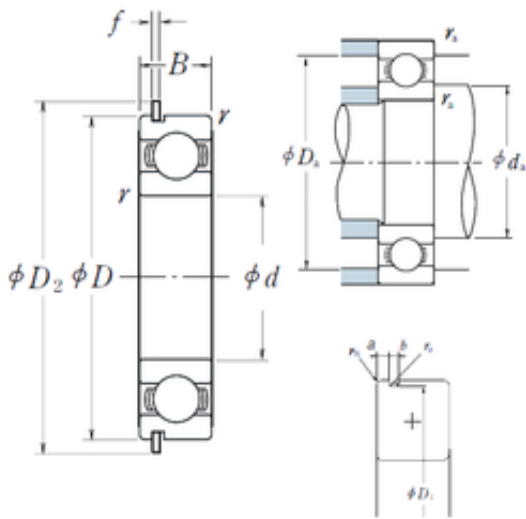




AMERICAN BEARING MFG.CORP.



20 mm x 47 mm x 14 mm BA200-6 Excavator
Bearing 200x250x24mm

Bearing No. 6204NR

6204NR Bearing 2D drawings and 3D CAD models

Size	20x47x14 mm
Bore Diameter	20 mm
Outer Diameter	47 mm
Width	14 mm
d	20 mm
D	47 mm
B	14 mm
C	14 mm
rn	0,5 mm
a	2,46 mm
b	1,35 mm
f	1,12 mm
r min.	1 mm
r0 max.	0,4 mm
D1	44,6 mm
D2	52,7 mm
da min.	25 mm
da max	26,5 mm
Da max.	42 mm
ra max.	1 mm
Weight	0,107 Kg
Basic dynamic load rating (C)	12,8 kN
Basic static load rating (C0)	6,6 kN
(Grease) Lubrication Speed	15 000 r/min
(Oil) Lubrication Speed	18 000 r/min



AMERICAN BEARING MFG.CORP.

Category	Single Row Ball Bearings
Inventory	6.0
Manufacturer Name	NSK
Minimum Buy Quantity	N/A
Weight / Kilogram	0.05
EAN	0029176034596
Product Group	B00308
Enclosure	Open
Precision Class	ABEC 1 ISO P0
Maximum Capacity / Filling Slot	No
Rolling Element	Ball Bearing
Snap Ring	Yes
Internal Special Features	No
Cage Material	Steel
Internal Clearance	C0-Medium
Inch - Metric	Metric
Long Description	20MM Bore; 47MM Outside Diameter; 14MM Outer Race Diameter; Open; Ball Bearing; ABEC 1 ISO P0; No Filling Slot; Yes Snap Ring; No Internal Special Features
Category	Single Row Ball Bearing
UNSPSC	31171504
Harmonized Tariff Code	8482.10.50.68
Noun	Bearing
Keyword String	Ball
Manufacturer URL	http://www.nskamericas.com
Manufacturer Item Number	6204NR
Weight / LBS	0.109
Outside Diameter	1.85 Inch 47 Millimeter
Bore	0.787 Inch 20 Millimeter



AMERICAN BEARING MFG.CORP.

Outer Race Width	0.551 Inch 14 Millimeter
bore diameter:	20 mm
closure type:	Open
outside diameter:	47 mm
snap ring included:	With Snap Ring
overall width:	14 mm
internal clearance:	Normal Clearance
bore type:	Round
manufacturer upc number:	029176034596
dynamic load capacity:	12800 N
static load capacity:	6600 N
precision rating:	ABEC 1 (ISO Class Normal)
finish/coating:	Uncoated
cage material:	Steel
row type & fill slot:	Single Row Non-Fill Slot
outer ring width:	14 mm
fillet radius:	1 mm
maximum rpm:	18000 RPM
operating temperature range:	Maximum of +250 ° F
series:	62
SRI	4.01
hidYobi	6204NR
LangID	1
ro	0.4
D_	47
SREX	0.04
B_	14
da min	25
hidTable	ecat_NSRDGB
Oil rpm	18000
SRE	4.21



AMERICAN BEARING MFG.CORP.

Cy	3.3
mass	0.107
GRS rpm	15000
ra	1
SRIX	0.02
D_a	42
SRIN	0
C0	6.6
fo	13.1
SREN	0
DE_	41.438
Prod_Type3	DGBB_SR_NR_OT
DA_	7.938
bomp	0
Z_	8
yobi	6204NR
Dx	53.5
C_conv	12800
ALPHA_	0
SDM_	33.5
r	1
KBRG	6101
SBRG	2
DI_	25.562