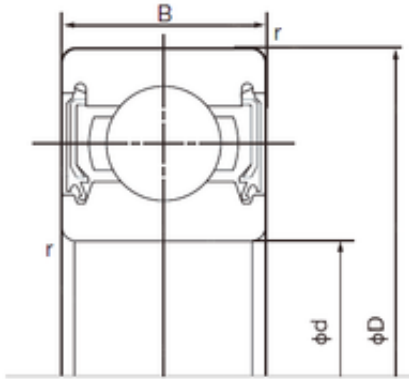




AMERICAN BEARING MFG.CORP.

25 mm x 62 mm x 17 mm CR4411PX1
Excavator Bearing 220x290x33mm



Bearing No. 6305-2NSE

Size	25x62x17 mm
Bore Diameter	25 mm
Outer Diameter	62 mm
Width	17 mm
d	25 mm
D	62 mm
B	17 mm
C	17 mm
r min.	1.1 mm
da min.	32 mm
Da max.	55 mm
ra max.	1.0 mm
Weight	0.232 Kg
Basic dynamic load rating (C)	23,6 kN
Basic static load rating (C0)	12,1 kN

6305-2NSE Bearing 2D drawings and 3D CAD models